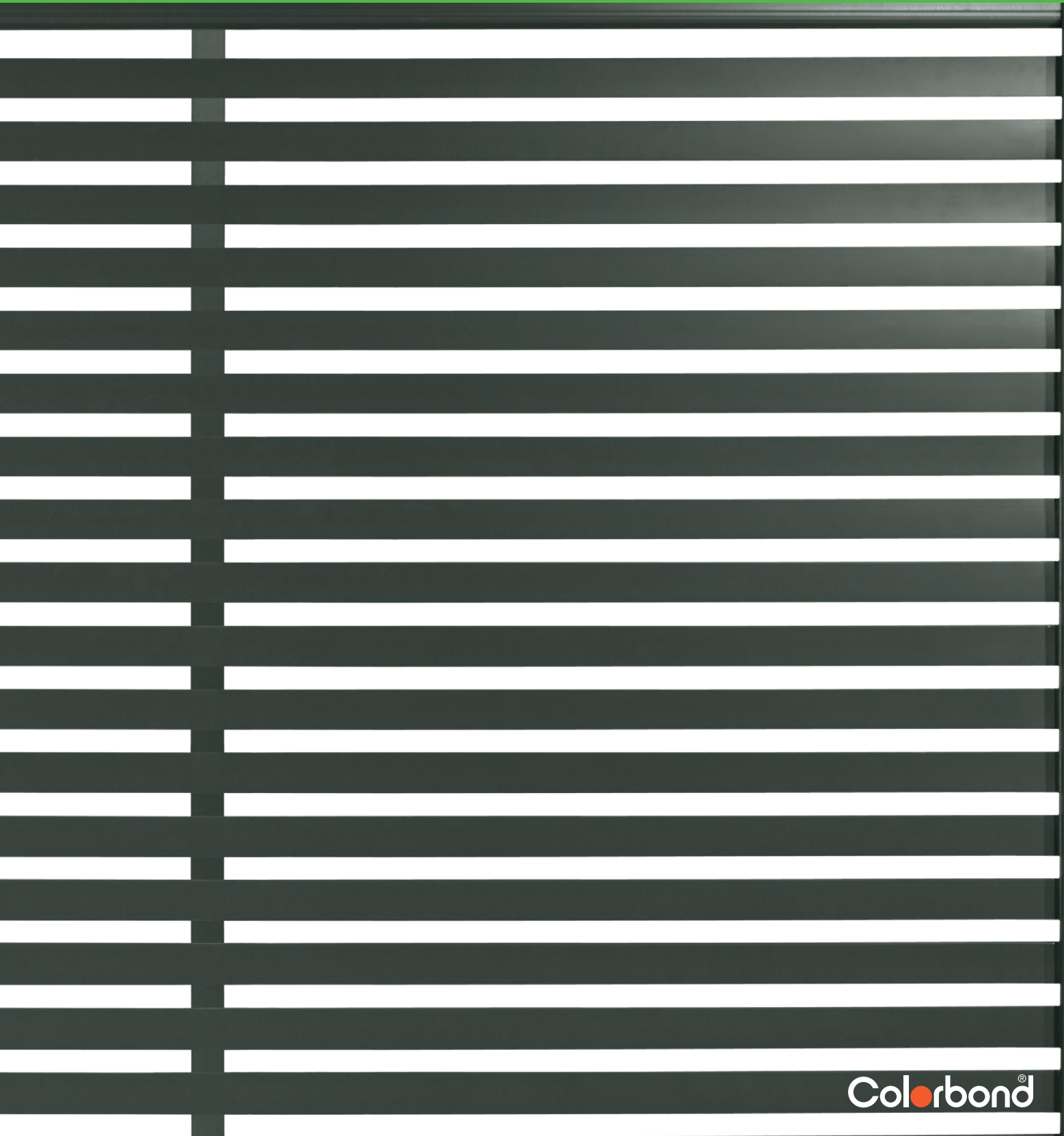


**FIELDERS FENCING**  
Flexibility is our Strength™



## Fielders Slat

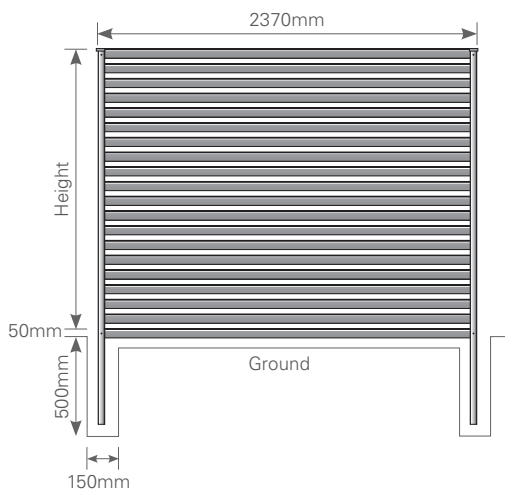
**Fielders** Panel Fence





## Fielders Slat

Used as a one panel privacy screen or a multiple panel garden fence, Fielders Slat Fencing will provide a modern, sleek look to your next home improvement project.



The attractive Fielders Slat Fencing is available in a range of Colorbond® colours. Colours can be mixed and matched to create a unique appearance for your fence.

- Ability to be interchanged with other Fielders Fencing profiles.
- Available in a diverse range of colours to suit every individual.
- Short lead time means you aren't left waiting for your new fence.
- Ease of installation allows you to save costs.
- Gates available.
- Available in 3 slat widths: 50mm, 60mm and 70mm
- Slat gap may be varied to allow a 10mm, 20mm or 30mm gap.

### Colour guide\*

- Domain®
- Terrace®
- Riversand®
- Willow®
- Grey Ridge®

\*Check availability at your local stockist.